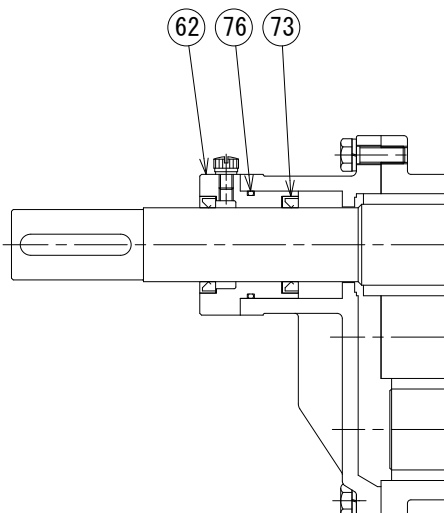
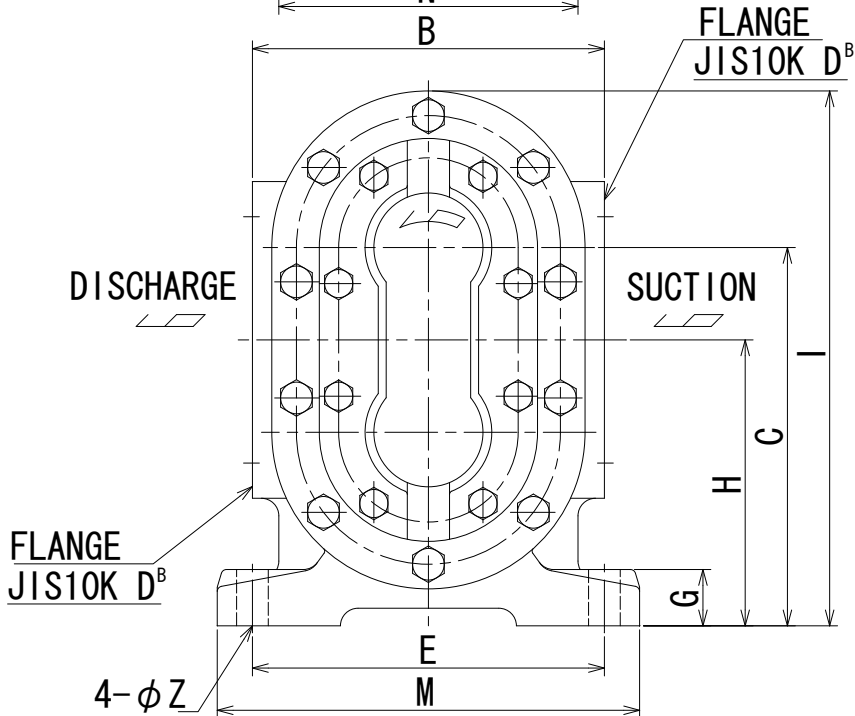


Type: KB



Type: KB-S



				19	SIDE PLATE	4	FC250
76	MECH. O-RING	1	NBR	14	GEAR	2	S45C
73	MECH. OIL SEAL	2	NBR	10	DRIVEN SHAFT	1	S45C HARDENING
				9	DRIVE SHAFT	1	S45C HARDENING
70	GLAND PACKING	1SET	ARAMID FIBER	5A	REAR COVER PACKING	1	ARAMID FIBER
62	GLAND	1	FC250	5	REAR COVER	1	FC250
61	GLAND CASE	1	FC250	4	F. B. COVER	1	FC250
60	KEY	1	S45C	2A	FRONT COVER PACKING	1	ARAMID FIBER
				2	FRONT COVER	1	FC250
22	METAL B	1	BC6	1A	CASE PACKING	2	ARAMID FIBER
21	METAL A	3	BC6	1	CASE	1	FC250
No.	NAME	QUANT.	MATERIAL	No.	NAME	QUANT.	MATERIAL